



Product designation				Power contactor
Product type designation				B250
<b>Contact characteristics</b>				
Number of poles	Nr.			3
Rated insulation voltage $U_i$ IEC/EN	V			1000
Rated impulse withstand voltage $U_{imp}$	kV			8
Operational frequency	min	Hz	25	
	max	Hz	400	
IEC Conventional free air thermal current $I_{th}$	A			350
Operational current $I_e$	AC-1 (=40°C)	A	350	
	AC-1 (=55°C)	A	300	
	AC-1 (=70°C)	A	250	
	AC-3 (=440V =55°C)	A	265	
	AC-4 (400V)	A	115	
Rated operational power AC-3 (T=55°C)	230V	kW	83	
	400V	kW	140	
	415V	kW	155	
	440V	kW	164	
	500V	kW	176	
	690V	kW	212	
	1000V	kW	156	
Rated operational power AC-1 (T=40°C)	230V	kW	124	
	400V	kW	214	
	500V	kW	282	
	690V	kW	380	
IEC max current $I_e$ in DC1 with L/R = 1ms with 1 poles in series	75V	A	350	
	110V	A	160	
	220V	A	--	
	330V	A	--	
	460V	A	--	
IEC max current $I_e$ in DC1 with L/R = 1ms with 2 poles in series	75V	A	350	
	110V	A	300	
	220V	A	250	
	330V	A	--	
	460V	A	--	
IEC max current $I_e$ in DC1 with L/R = 1ms with 3 poles in series	75V	A	350	
	110V	A	300	
	220V	A	300	

	330V	A	250
	460V	A	--
IEC max current I <sub>e</sub> in DC1 with L/R = 1ms with 4 poles in series			
	75V	A	350
	110V	A	300
	220V	A	300
	330V	A	300
	460V	A	250
IEC max current I <sub>e</sub> in DC3-DC5 with L/R = 15ms with 1 poles in series			
	75V	A	280
	110V	A	150
	220V	A	--
	330V	A	--
	460V	A	--
IEC max current I <sub>e</sub> in DC3-DC5 with L/R = 15ms with 2 poles in series			
	75V	A	280
	110V	A	250
	220V	A	200
	330V	A	--
	460V	A	--
IEC max current I <sub>e</sub> in DC3-DC5 with L/R = 15ms with 3 poles in series			
	75V	A	280
	110V	A	280
	220V	A	250
	330V	A	200
	460V	A	--
IEC max current I <sub>e</sub> in DC3-DC5 with L/R = 15ms with 4 poles in series			
	75V	A	280
	110V	A	280
	220V	A	280
	330V	A	200
	460V	A	200
Short-time allowable current for 10s (IEC/EN60947-1)		A	2200
Protection fuse			
	gG (IEC)	A	400
	aM (IEC)	A	250
Making capacity (RMS value)		A	2750
Breaking capacity at voltage			
	440V	A	2500
	500V	A	2250
	690V	A	2200
Resistance per pole (average value)		mΩ	0.2
Power dissipation per pole (average value)			
	I <sub>th</sub>	W	24.5
	AC3	W	12.5
Tightening torque for terminals			
	min	Nm	35
	max	Nm	35
	min	lbin	25.8
	max	lbin	25.8
Tightening torque for coil terminal			
	min	Nm	1
	max	Nm	1

	min	I <sub>bin</sub>	0.74
	max	I <sub>bin</sub>	0.74
Max number of wires simultaneously connectable		Nr.	2
Conductor section			
		AWG/Kcmil	
	max		500 kcmil
Power terminal protection according to IEC/EN 60529			IP00
<b>Mechanical features</b>			
Operating position		normal allowable	Vertical plan ±30°
Fixing			Screw
Weight		g	9640
Conductor section			
		AWG/kcmil conductor section	
	max		500 kcmil
<b>Operations</b>			
Mechanical life		cycles	10000000
Electrical life		cycles	1000000
<b>Safety related data</b>			
Performance level B10d according to EN/ISO 13489-1		rated load mechanical load	cycles 1000000 cycles 10000000
Mirror contacts according to IEC/EN 60947-4-1			yes
EMC compatibility			yes
<b>AC coil operating</b>			
Rated AC voltage at 50/60Hz, 60Hz	min	V	110
	max	V	125
AC operating voltage			
		of 50/60Hz coil powered at 50Hz	
		pick-up	
	min	%Us	80
	max	%Us	110
		drop-out	
	min	%Us	20
	max	%Us	60
		of 50/60Hz coil powered at 60Hz	
		pick-up	
	min	%Us	80
	max	%Us	110
		drop-out	
	min	%Us	20
	max	%Us	60
		of 60Hz coil powered at 60Hz	
		pick-up	
	min	%Us	80
	max	%Us	110
		drop-out	
	min	%Us	20
	max	%Us	60
AC average coil consumption at 20°C			
		of 50/60Hz coil powered at 50Hz	

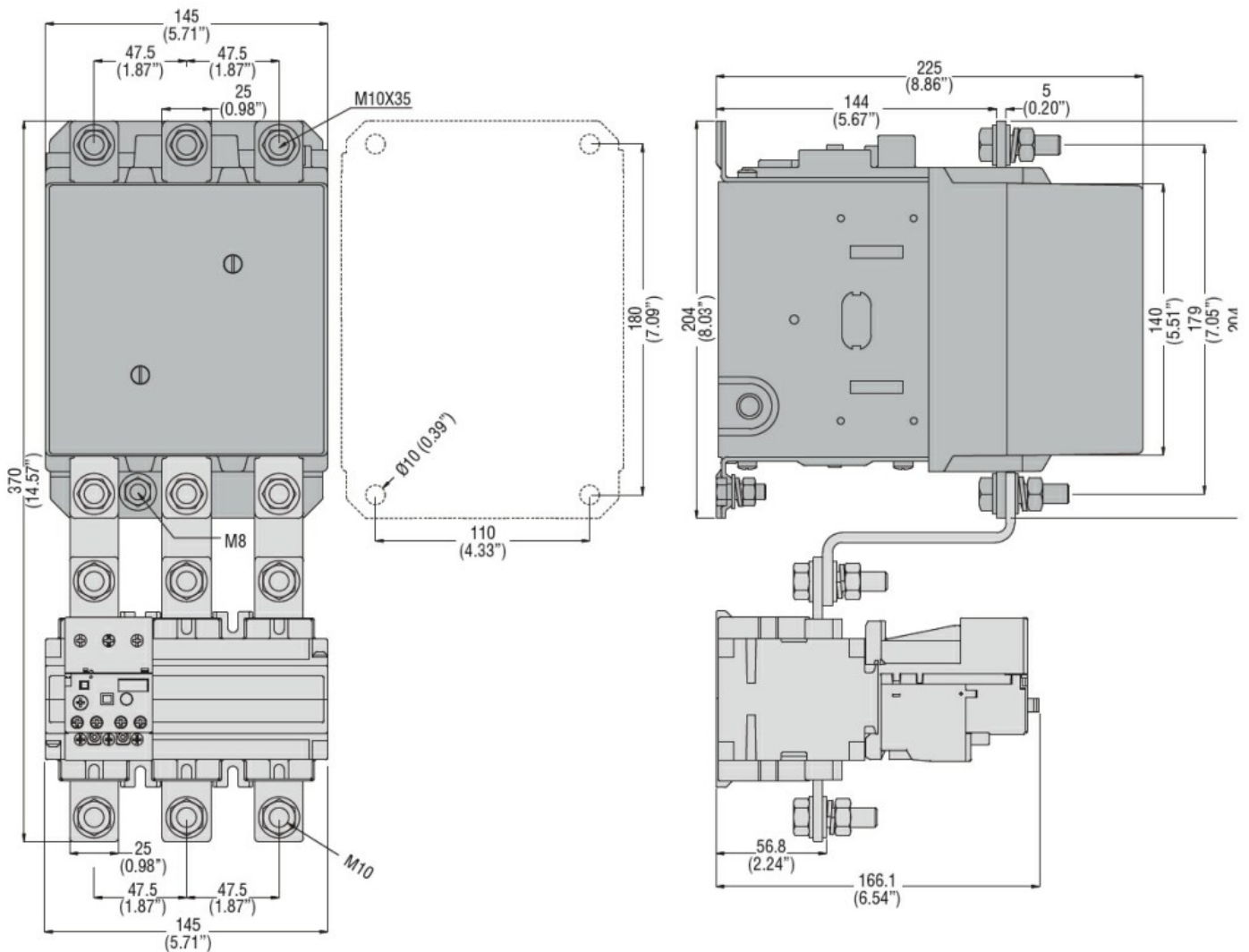
	in-rush	VA	300
	holding	VA	10
of 50/60Hz coil powered at 60Hz			
	in-rush	VA	300
	holding	VA	10
Dissipation at holding =20°C 50Hz		W	10
<b>DC coil operating</b>			
DC rated control voltage			
	min	V	110
	max	V	125
DC operating voltage			
pick-up	min	%Us	80
	max	%Us	110
drop-out	min	%Us	20
	max	%Us	60
Average coil consumption =20°C			
	in-rush	W	300
	holding	W	10
<b>Max cycles frequency</b>			
Mechanical operation		cycles/h	2400
<b>Operating times</b>			
Average time for Us control			
in AC			
Closing NO	min	ms	80
	max	ms	120
Opening NO	min	ms	30
	max	ms	75
in DC			
Closing NO	min	ms	80
	max	ms	120
Opening NO	min	ms	30
	max	ms	75
<b>UL technical data</b>			
Full-load current (FLA) for three-phase AC motor			
	at 480V	A	240
	at 600V	A	242
Yielded mechanical performance			
for three-phase AC motor			
	200/208V	HP	75
	220/230V	HP	100
	575/600V	HP	250
General USE			
Contactor			
	AC current	A	350
Short-circuit protection fuse, 600V			
Standard fault			
	Short circuit current	kA	18
	Fuse rating	A	800

		Fuse class	L
<b>Ambient conditions</b>			
Temperature			
Operating temperature		min °C	-50
		max °C	70
<hr/>			
Storage temperature		min °C	-60
		max °C	80
Max altitude		m	3000

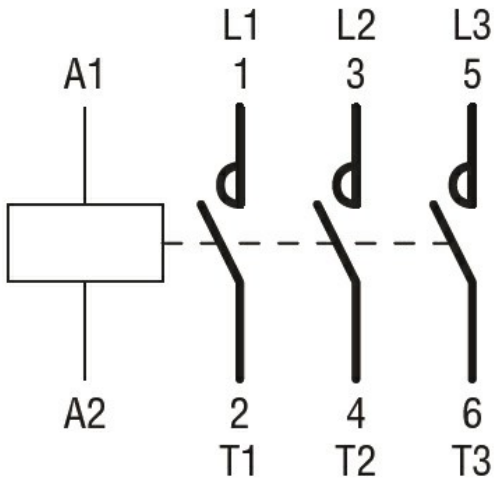
**Resistance & Protection**

Pollution degree	3
------------------	---

**Dimensions**



**Wiring diagrams**



### Certifications and compliance

#### Compliance

CSA C22.2 n° 60947-1

CSA C22.2 n° 60947-4-1

IEC/EN 60947-1

IEC/EN 60947-4-1

UL 60947-1

UL 60947-4-1

#### Certificates

CCC

cULus

EAC

### ETIM classification

ETIM 8.0

EC000066 -  
Power contactor,  
AC switching